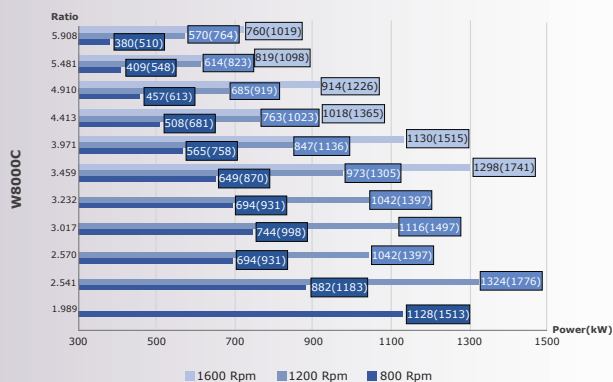


Model		W 8000C	
Power/RPM	kW/RPM (hp/RPM)	Up to	1,410 (1,891)
Maximum rated input	kW (hp)	Up to	1371 (1839)
Ratio		From 1,989 to 5,908 refer to the table sheet 2/2	
Maximum input RPM		1900	
Dry weight	kg(lb)	1800 (3970)	
SAE bell		Free standing	
Offset type		Coaxial	
Kinematic		Non Reversible, Engine Wise, Counter Engine Wise	

## Description

- Coaxial version of the W8000 (input shaft and output shaft are coaxial)
- Robust design and easy onboard maintenance.
- Robust design also withstands continuous duty in workboat applications.
- Fully works tested, reliable and simple to install.
- Reverse reduction marine transmission with hydraulically actuated multi-disc clutches.
- Case hardened and precisely ground gear teeth for long life and smooth running.
- Robust cast iron casing for direct or remote mounting.
- Emergency "get home" capability.
- Design, manufacture and quality control standards comply with ISO.
- Suitable for twin installation with 100% rated power in ahead and astern condition.

Sample Powers kW (hp)



## Standard Equipment

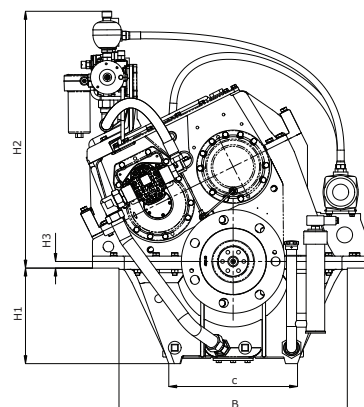
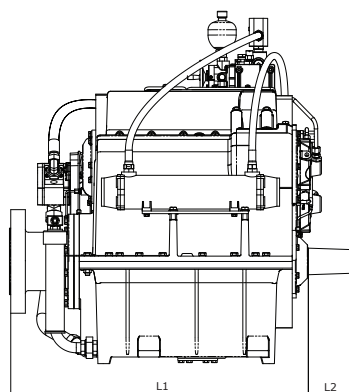
- Dual stage input coupling.
- Oil cooler complete with fittings and flexible hoses.
- Control cable bracket and Clamp parts for connection of the push-pull cable.
- Mounting brackets (Plate Type for welding).
- Standard Input Rubber.

## Option

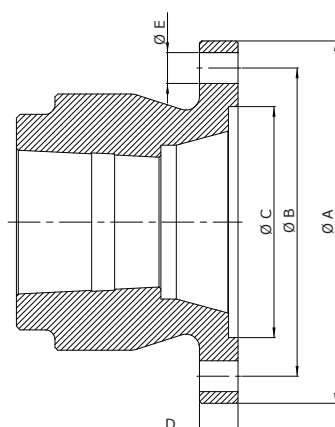
- Engine-matched torsional coupling.
- Propeller shaft flange and coupling bolt set.
- Classification by all major Classification Societies on request.
- PTO (live or clutchable).
- Electric trolling valve for slow-speed drive.
- Shaft brake.



Model	kW/RPM (hp/RPM)	Maximum Rated Input	Maximum RPM	Ratio	Sample Ratio Capacities kW (hp)		
					800 rpm	1200 rpm	1600 rpm
W8000C	1,410 (1,891)	1371 (1838)	972	1,989	1128 (1513)	(-)	(-)
	1,103 (1,479)	1370 (1836)	1242	2,541	883 (1184)	1325 (1777)	
	0,868 (1,164)	1371 (1838)	1580	2,570	744 (998)	1116 (1497)	
	0,930 (1,247)	1371 (1838)	1475	3,017	744 (998)	1116 (1497)	
	0,811 (1,088)	1371 (1838)	1691	3,459	649 (870)	973 (1305)	1298 (1740)
	0,706 (0,947)	1341 (1822)	1900	3,971	565 (757)	847 (1136)	1130 (1515)
	0,636 (0,853)	1208 (1641)		4,413	509 (682)	763 (1023)	1018 (1365)
	0,571 (0,766)	1085 (1474)		4,910	457 (613)	685 (919)	914 (1225)
	0,512 (0,687)	972 (1321)		5,481	410 (549)	614 (824)	819 (1099)
	0,475 (0,637)	902 (1226)		5,908	380 (510)	570 (764)	760 (1019)



Model	Bell Housing SAE N°	A	B	C	H1	H2	H3	L1	L2	Dry Weight kg(lb)
		Dimensions in mm								
W8000C	Free standing	0	860	530	360	960	-25	1121	165	1800 (3970)



### Output Coupling dimension

A		B		C		D		Bolt Holes		
								No.	Diameter (E)	
mm	inch	mm	inch	mm	inch	mm	inch		mm	in
390	15,4	320	12,6	250	9,84	55	2,17	7	34	1,34

Masson Marine products are available all over the world through our network of dealers

Dealer:



[www.masson-marine.com](http://www.masson-marine.com)

contact@masson-marine.com

5 rue Henri Cavallier  
89100 Saint Denis les Sens - France

