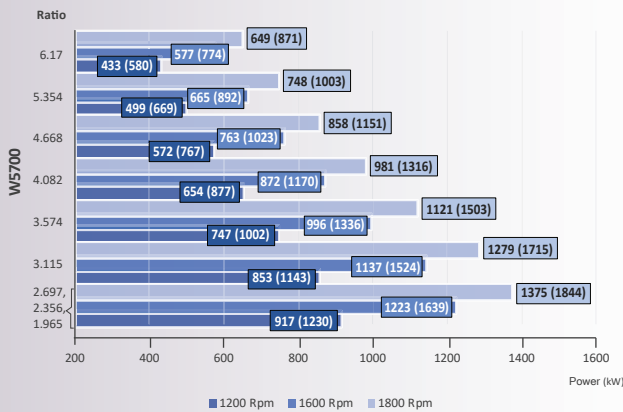


Model		W5700			
Power/RPM	kW/RPM (hp/RPM)	Maximum rated input	kW (hp)	Ratio	Maximum input RPM
0,764 (1,025)		1430 (1918)		1,976	1872
				2,369	
				2,712	
0,710 (0,953)		1330 (1784)		3,132	2130
0,623 (0,835)		1326 (1779)		3,574	
0,545 (0,731)		1308 (1754)		4,082	2400
0,477 (0,639)		1144 (1534)		4,668	
0,416 (0,557)		998 (1338)		5,354	
0,361 (0,484)		866 (1161)		6,170	
Dry weight	kg(lb)	1500 (3310)			
SAE bell		#0,#00			
Type		Vertical offset			
Kinematics		Reversible or Non-Reversible (Engine-Wise or Counter-Engine-Wise)			

Description

- Robust design and easy onboard maintenance.
- Robust design also withstands continuous duty in workboat, dredger applications.
- Fully works tested, reliable and simple to install.
- Reverse reduction marine transmission with hydraulically actuated multi-disc clutches.
- Case hardened and precisely ground gear teeth for long life and smooth running.
- Robust cast iron casing for 1200 or remote mounting.
- Emergency "get home" capability.
- Design, manufacture and quality control standards comply with ISO.
- Suitable for twin installation with 100% rated power in ahead and astern condition.

Sample Powers kW (hp)

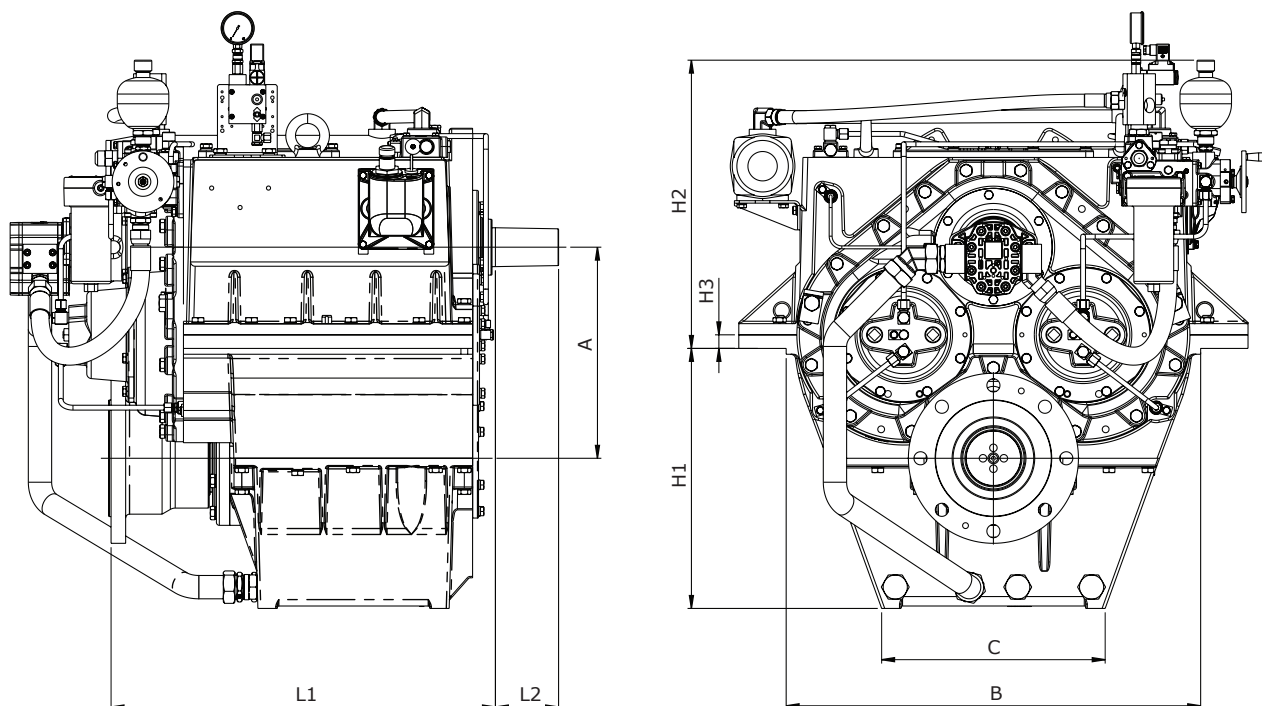


Standard Equipment

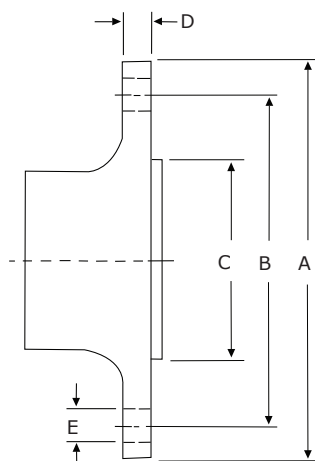
- Oil cooler complete with fittings and flexible hoses.
- Integrated Brackets.
- Free Standing.
- Lube Oil Pump.

Option

- Engine-matched torsional coupling.
- Propeller shaft flange and coupling bolt set.
- Classification by all major Classification Societies on request.
- PTO (live or clutchable).
- Electric trolling valve for slow-speed drive.
- Shaft brake.
- Electric clutch control.



Model	Bell housing	A	B	C	H1	H2	H3	L1	L2	Dry Weight kg (lb)
		Dimensions in mm								
W5700	#0,#00	434	853	460	535	593	28	791	130	1347 (2970)



Output Coupling dimension										
A		B		C		D		Bolt Holes		
mm	inch	mm	inch	mm	inch	mm	inch	No.	Diameter (E)	
									mm	in
350	13,8	300	11,8	240	9,4	30	1,18	8	27	1.06

Masson Marine products are available all over the world through our network of dealers

Dealer:



www.masson-marine.com



contact@masson-marine.com

5 rue Henri Cavallier

89100 Saint Denis les Sens - France

