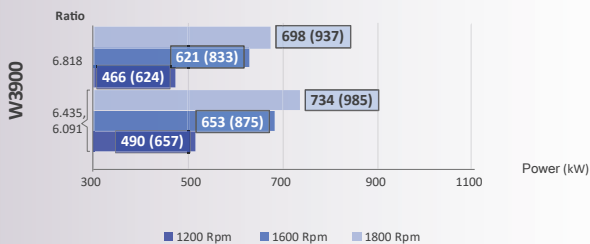


Model		W3900			
Power/RPM	kW/RPM (hp/RPM)	Maximum rated input	kW (hp)	Ratio	Maximum input RPM
0,408	(0,547)	857	(1149)	6,091	2100
				6,435	
0,388	(0,520)	815	(1093)	6,818	
Dry weight	kg(lb)	1270 (2800)			
SAE bell	#0, #1				
Type	Vertical offset				
Kinematics	Reversible or Non-Reversible (Engine-Wise or Counter-Engine-Wise)				

Description

- Robust design and easy onboard maintenance.
- Robust design also withstands continuous duty in workboat, dredger applications.
- Fully works tested, reliable and simple to install.
- Reverse reduction marine transmission with hydraulically actuated multi-disc clutches.
- Case hardened and precisely ground gear teeth for long life and smooth running.
- Robust cast iron casing for direct or remote mounting.
- Emergency "get home" capability.
- Design, manufacture and quality control standards comply with ISO.
- Suitable for twin installation with 100% rated power in ahead and astern condition.

Sample Powers (kW/hp)

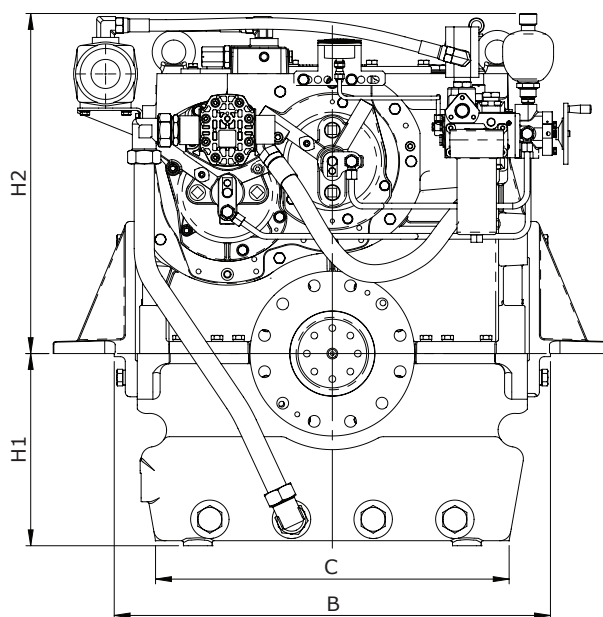
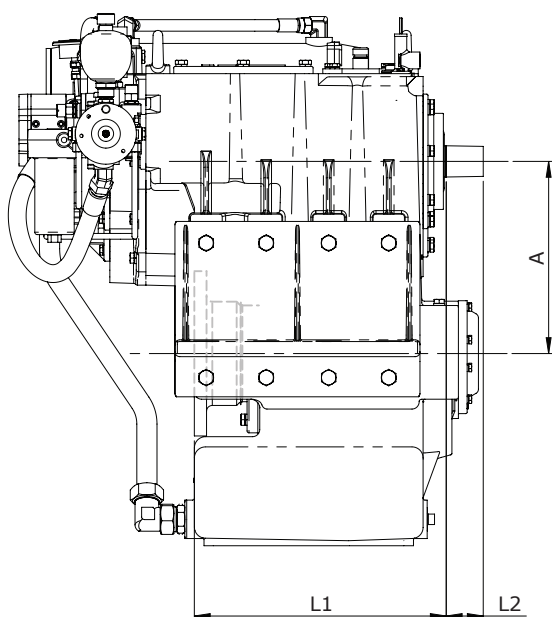


Standard Equipment

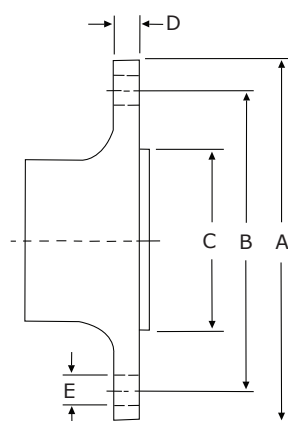
- Oil cooler complete with fittings and flexible hoses.
- Free Standing.
- Lube Oil Pump.

Option

- Engine-matched torsional coupling.
- Propeller shaft flange and coupling bolt set.
- Classification by all major Classification Societies on request.
- PTO (live or clutchable).
- Electric trolling valve for slow-speed drive.
- Shaft brake.
- Electric clutch control.



Model	Bell Housing SAE N°	A	B	C	H1	H2	H3	L1	L2	Dry Weight kg(lb)
		Dimensions in mm								
W3900	#0, #1	400	908	736	400	707	0	524	77	1270 (2800)



Output Coupling dimension

A		B		C		D		Bolt Holes		
								No.	Diameter (E)	
mm	inch	mm	inch	mm	inch	mm	inch		mm	in
343	13,5	292,1	11,5	177,5	7	25,4	1	12	24,5	1

Masson Marine products are available all over the world through our network of dealers



www.masson-marine.com

contact@masson-marine.com

5 rue Henri Cavallier

89100 Saint Denis les Sens - France