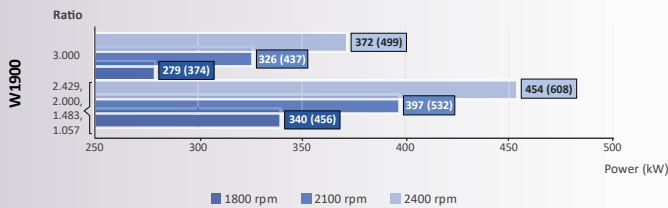


Model		W1900			
Power/RPM	kW/RPM (hp/RPM)	Maximum rated input	kW (hp)	Ratio	Maximum input RPM
0,189 (0,253)		529 (710)		1,057	2800
				1,483	
				2,000	
				2,429	
0,155 (0,208)		434 (582)		3,000	
Dry weight	kg(lb)	410 (907)			
SAE bell	#0, #1				
Type	Vertical offset				
Kinematics	Non Reversible, Engine Wise and Counter Engine Wise				

Description

- Robust design and easy onboard maintenance.
- Robust design also withstands continuous duty in workboat, dredger applications.
- Fully works tested, reliable and simple to install.
- Reverse reduction marine transmission with hydraulically actuated multi-disc clutches.
- Case hardened and precisely ground gear teeth for long life and smooth running.
- Robust cast iron casing for direct or remote mounting.
- Emergency "get home" capability.
- Design, manufacture and quality control standards comply with ISO.
- Suitable for twin installation with 100% rated power in ahead and astern condition.

Sample Powers kW (hp)

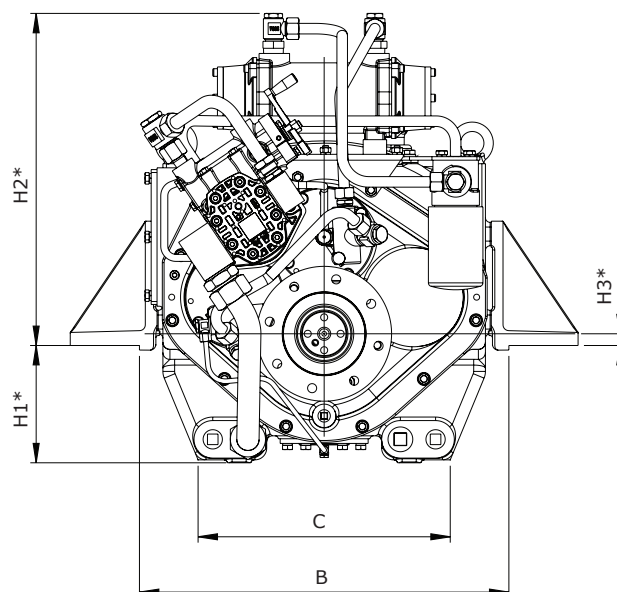
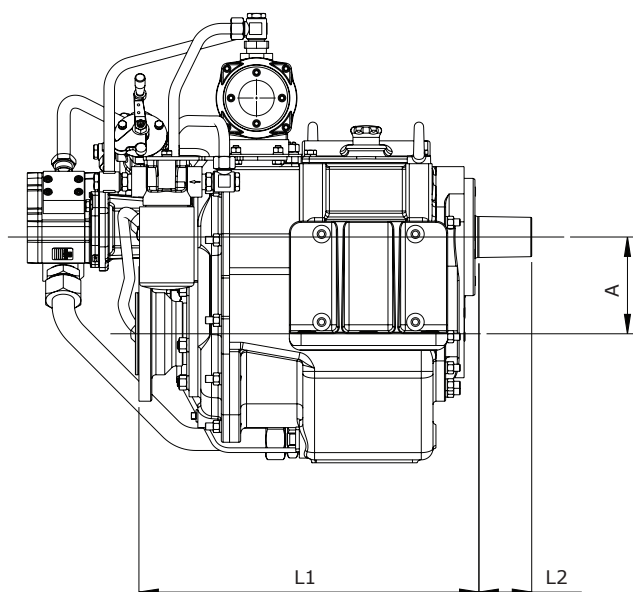


Standard Equipment

- Oil cooler complete with fittings and flexible hoses.
- Integrated Brackets.
- Free Standing.
- Lube Oil Pump.

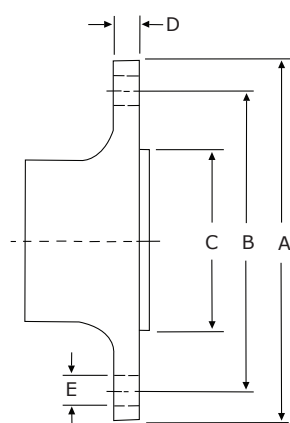
Option

- Engine-matched torsional coupling.
- Propeller shaft flange and coupling bolt set.
- Classification by all major Classification Societies on request.
- Electric trolling valve for slow-speed drive.
- Shaft brake.
- Electric clutch control.



Model	Bell housing	A	B	C	H1	H2	H3	L1	L2	Dry Weight kg (lb)
		Dimensions in mm								
W1900	#0, #1	165	630	430	200	566	-20	580	90	410 (907)

* Various choice of brackets (H1, H2, and H3 dimensions above are for the standard bracket.)



Output Coupling dimension

A		B		C		D		Bolt Holes		
mm	inch	mm	inch	mm	inch	mm	inch	No.	Diameter (E)	
									mm	in
230	9,1	190	7,5	140	5,5	22	0,9	8	15,5	0,6

Masson Marine products are available all over the world through our network of dealers

Dealer:



www.masson-marine.com



contact@masson-marine.com

5 rue Henri Cavallier

89100 Saint Denis les Sens - France

