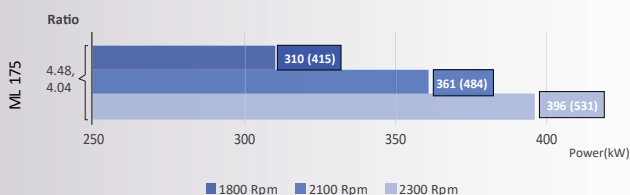


Model		ML 175
Power/RPM	kW/RPM (hp/RPM)	0,172 (0,231)
Maximum rated input	kW (hp)	430 (577)
Ratio		4,04 ; 4,48
Maximum input RPM		2500
Dry weight	kg (lb)	352 (775)
SAE bell		#1, #2
Offset type		Vertical offset
Kinematics		Counter Engine Wise

## Description

- Robust design and easy onboard maintenance.
- Withstands various applications: pleasure, light, medium and continuous duty.
- Fully works tested, reliable and simple to install.
- Reverse reduction marine transmission with hydraulically actuated multi-disc clutches.
- Case hardened and precisely ground gear teeth for long life and smooth running.
- Robust cast iron casing for direct or remote mounting.
- Emergency "get home" capability.
- Design, manufacture and quality control standards comply with ISO.
- Suitable for twin installation with 100% rated power in ahead and astern condition.

Sample Powers kW (hp)

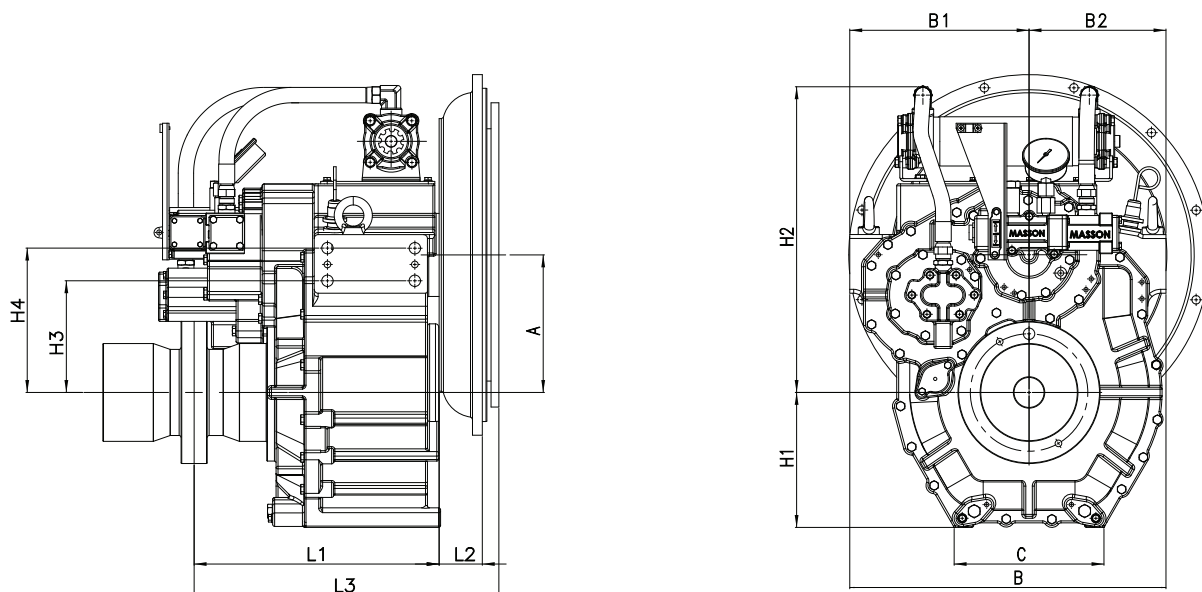


## Standard Equipment

- Propeller shaft flange and coupling bolt sets.
- Oil cooler complete with fittings and flexible hoses.
- Control cable bracket and Clamp parts for connection of the push-pull cable.
- Mounting brackets (Plate Type for welding).
- Standard Input Rubber.

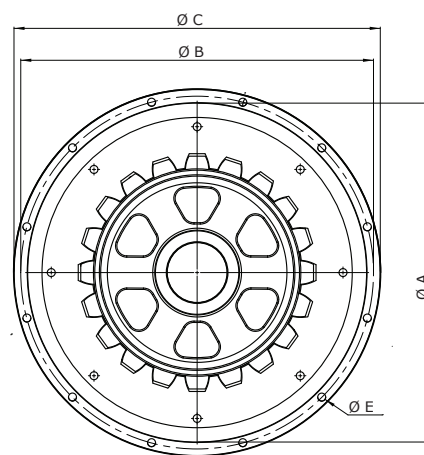
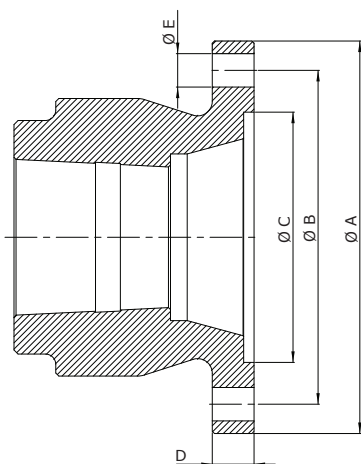
## Option

- Engine-matched torsional coupling.
- Trolling valve for slow-speed drive.
- D-Trolling valve.
- Mounting brackets ( L Shape ).
- Electric shifting valve.



Model	A	B	B1	B2	C	H1	H2	H3	H4	L1	Dry Weight kg (lb)
ML 175	260	538	280	258	316	261	521	246.7	176.7	390	352 (775)

**All dimensions in mm.**



### Output Coupling dimension

A	B	C	D	Bolt Holes	
				No.	Diameter (E)
287	240	160	28	6	25

### SAE Bell Housing Dimension

SAE N°	DRIVING RING	A	B	C	L2	L3	Bolt Holes	
							No.	Diameter (E)
#1	14"	511.12	530.22	552.5	64	479	12	12
#2	11.5"	447.6	466.72	489	46	475	12	11

Masson Marine products are available all over the world through our network of dealers

Dealer:



[www.masson-marine.com](http://www.masson-marine.com)



[contact@masson-marine.com](mailto:contact@masson-marine.com)

5 rue Henri Cavallier

89100 Saint Denis les Sens - France

